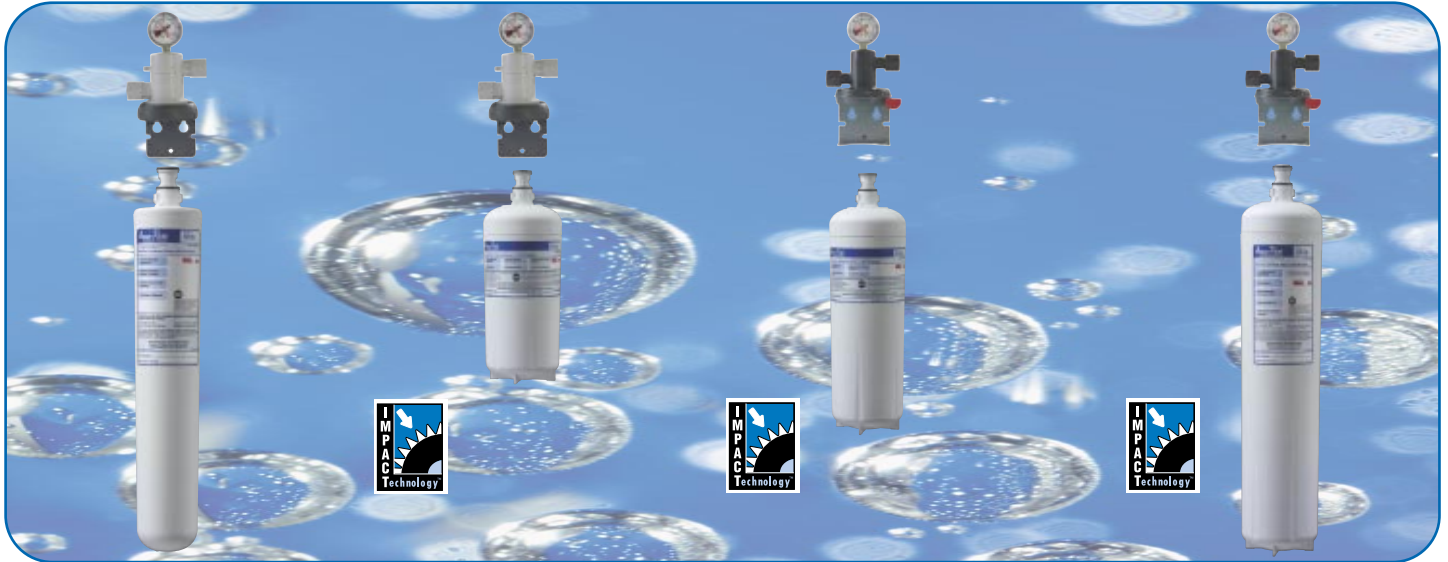


From convenience stores and restaurants to quick serve operations, the beverage machine is often the most profitable part of the business. Post mix is approximately 83% water.



Designed to provide consistent quality carbonated and non-carbonated beverages and reduce unscheduled service calls in post-mix systems.

features

- IMPACTechnology in large cartridges.
- SQC™ (Sanitary Quick Change) cartridge.
- Encapsulated cartridge design with 'O' rings.
- BSPT horizontal inlet and outlet ports.
- 0.2 micron media.
- 1.0 and 3.0 micron media.
- Patented valve-in-head design vents water.
- Optional pressure gauge.
- Certified to NSF standard 53 for cyst reduction.
- Exhausted cartridges may be incinerated.

benefits

- Higher flow rates, no need for manifold systems or for separate pre-filter and housing.
- Allows fast and easy change-outs with a 1/4 turn while minimising the possibility of leakage and contamination.
- No chance of water leakage due to 'O' ring compression, service engineers can't touch filter media and hence contaminate water line.
- Allows direct or easily adaptable connections to existing plumbing lines.
- Reduces microbial content in water and protects customers from cyst and 99.9% of common pathogens.
- Combined sediment reduction with chlorine, taste and odour reduction for high dirt loading applications.
- No separate shut off valve required, easy to change using un-skilled staff.
- Easy to monitor filter blockage for identification of time to change filter.
- Independent qualification of performance and guarantee of product safety.
- For environmentally conscious disposal.



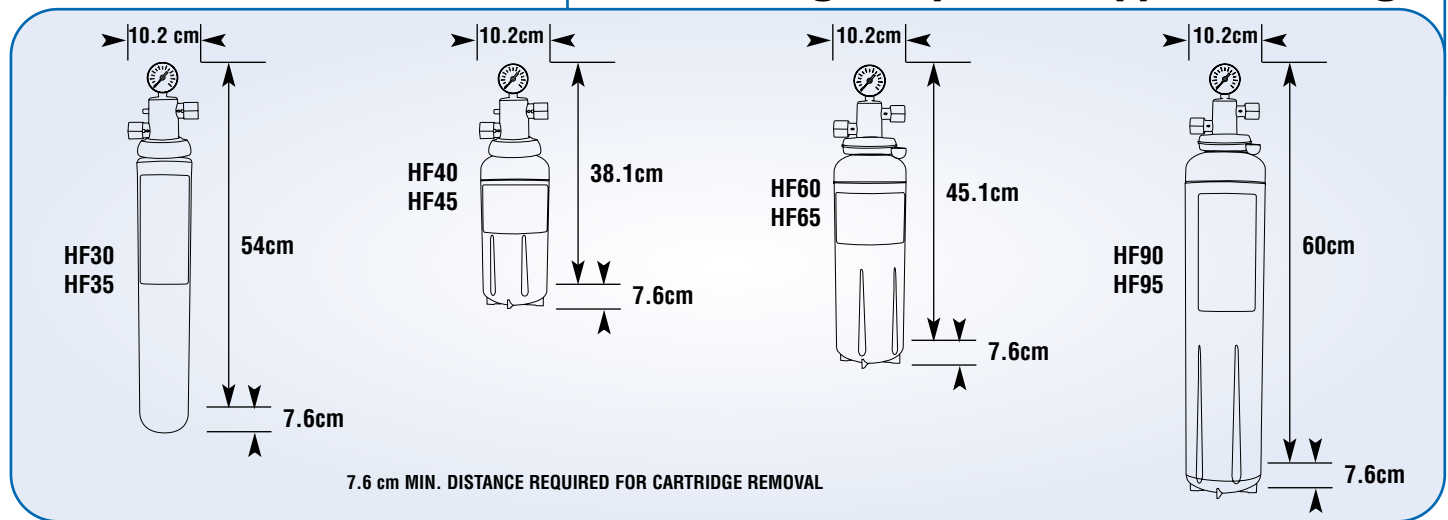
impact technology

IMPACTechnology (Integrated Membrane Pre-Activated Carbon) media combines a high surface area pleated media and a pre-activated carbon block in a single cartridge to dramatically reduce pressure drop, provide higher throughputs and longer cartridge life, while eliminating the need for pre-filtration.

This unique technology combines sediment, cyst and bacteria reduction with chlorine taste and odour reduction in a single cartridge. Cartridges with scale prevention technology and chloramine reduction are also available.

For the 0.2 micron rated products, water first flows through a patented multi-zone, pleated nylon membrane which provides exceptionally high surface area. The first zone – with larger openings – retains the large particles like sediment and rust. The finer second zone traps the smallest contaminants like cyst and bacteria and gives a final polish. Water then flows through a pre-activated carbon block to reduce chlorine taste and odour and other organics. The patented rigid block ensures that no carbon fines are released into the water.

cold beverages & postmix application range



cold beverages/post mix range and technical specifications

Model / system	Capacity (litres)	Micron Rating	Flow (lpm)	Water Application*	Reduction Claims				Component			Sizing	IMPACT NY/P**		
					Chlorine taste & odour	Sediment	Cyst	Bacteria	Model	Connections	Part No.			Model	Part No.
BEV 130	52,996	0.5	6.3	SWC	•	•	•		VH3G -BSPT	3/8"	1157854	HF30	1157866	Single Carbonator Dispenser	
BEV 135	47,696	1.0	6.3	HTW	•	•			VH3G -BSPT	3/8"	1157854	HF35	1157867	Single Carbonator Dispenser	
BEV 140	94,635	0.2	7.9	SWC	•	•	•	•	VH3G -BSPT	3/8"	1157854	HF40	1157881	Single High Flow Carbonator Dispenser	NY
BEV 145	94,635	3.0	7.9	HTW	•	•			VH3G -BSPT	3/8"	1157854	HF45	1157883	Single High Flow Carbonator Dispenser	P
BEV 160	132,489	0.2	12.6	SWC	•	•	•	•	NH3G -BSPT	1/2"	1157856	HF60	1157885	Dual Carbonator Dispenser	NY
BEV 165	132,489	3.0	12.6	HTW	•	•			NH3G -BSPT	1/2"	1157856	HF65	1157887	Dual Carbonator Dispenser	P
BEV 190	204,412	0.2	18.9	SWC	•	•	•	•	NH3G -BSPT	1/2"	1157856	HF90	1157889	Serves carbonator & cold beverage dispensers up to 18.9lpm demand flow rate	NY
BEV 195	204,412	3.0	18.9	HTW	•	•			NH3G -BSPT	1/2"	1157856	HF95	1157891	Serves carbonator & cold beverage dispensers up to 18.9lpm demand flow rate	P

* SWC = Standard water conditions; HTW = High turbidity water ** NY = Nylon membrane; P = Polypropylene pleated media

For commercial use with cold water only.
 For all systems, heads and cartridges are sold separately.
 Head comes with integral mounting bracket.
 Maximum operating temperature is 38°C.
 Inlet and outlet connections are female.
 NSF performance data sheet included.
 Filter cartridges require no pre-activation and incorporate a carbon block media.
 Do not use with water that is microbiologically unsafe or of unknown quality without adequate disinfection before or after the system.

Bacterial reduction by membrane filtration of 99.9% of common pathogens as tested with E.coli and Pseudomonas Fluorescens.
 NSF and CFR-21 certified for use for materials in contact with drinking water.
 Systems certified for cyst reduction may be used on disinfected water that may contain filterable cysts.
 EPA Establishment Number 070595-CT-001.
 CUNO Incorporated recommends regularly scheduled maintenance and replacement of the filter cartridge(s) in order for the product to perform as advertised/sold.
 Change the filter cartridge at least every 6 months.
 CUNO shall not be liable for system failures due to improper maintenance.

European Service

For the UK, Ireland and Scandinavia

CUNO - a 3M company, 3M (UK) PLC, 3M Centre, Cain Road, Bracknell, RG12 8HT
 Tel: +44 (0) 1344 858000 Fax: +44 (0) 1344 858559

For Germany, Austria, Switzerland and Eastern Europe

CUNO - a 3M company, Wilh-Th-Römheld-Str. 32, 55130 Mainz
 Tel: +49 (0) 6131 984420 Fax: +49 (0) 6131 9844222

For Italy, Spain, Greece and Portugal

CUNO - a 3M company, Via S. Bovio, 3, Località San Felice 20090 SEGRATE (MILANO)
 Tel: +39 02 7035.1 Fax: +39 02 7035 3483

For France

CUNO - a 3M company, 23, Avenue du 8 mai 1945, 94470 Boissy Saint Leger
 Tel: +33 (0) 1 56 73 16 40 Fax: +33 (0) 1 56 73 16 50

For Belgium, The Netherlands and Luxembourg

CUNO - a 3M company, Nieuwe Weg 1, Haven 1053, BE-2070 Zwijndrecht-Antwerpen
 Tel: +32 (0) 3250 1540 Fax: +32 (0) 3250 1549

www.cuno.com

LIMITED FIVE YEAR WARRANTY

CUNO Incorporated warrants to the original purchaser-consumer that this product is free of defects in materials and workmanship. Any defect, malfunction, or other failure of the product to conform to this warranty will be remedied by CUNO. This warranty, together with any and all warranties implied by law, shall be limited to a duration of five (5) years from the original purchase by the consumer. This warranty does not apply to defects that result from abuse, misuse, alteration or damage not caused by CUNO. See warranty card for full details.

